



better together

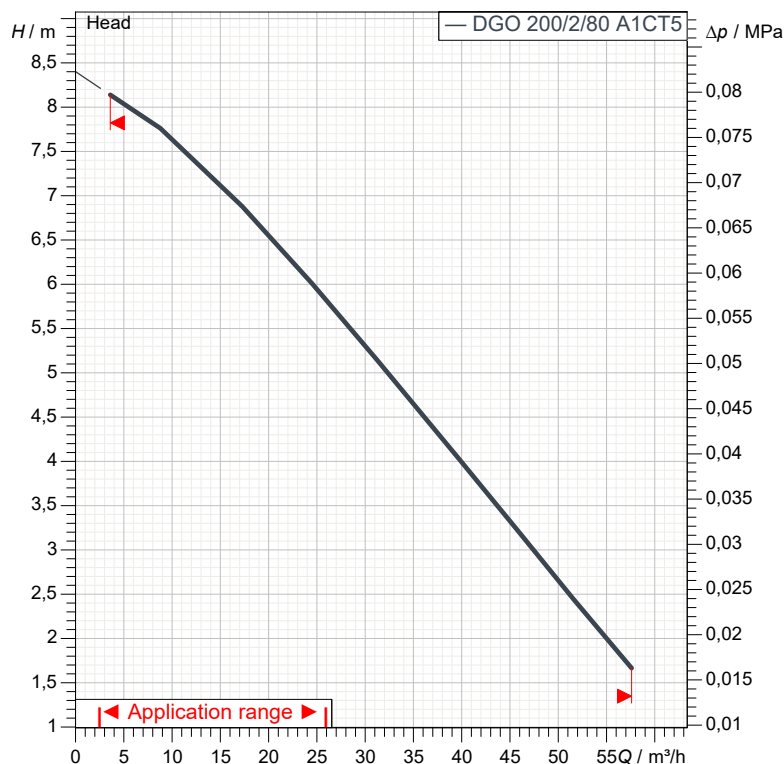
Data sheet

DGO 200/2/80 A1CT5

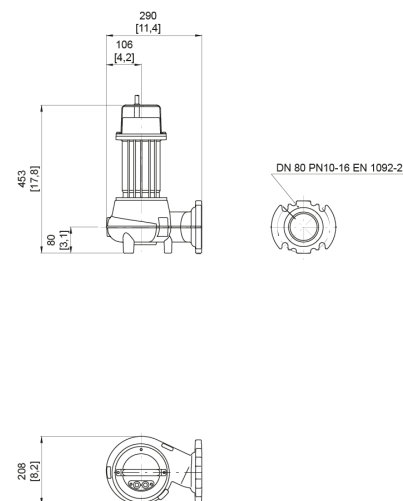
O
series

Technical specification

3~ 50 Hz



Characteristic curves according to UNI EN ISO 9906:201
P2<10kW: paragraph 4.4.2
10kW<P2<100kW: Grade 3B
P2>100kW: Grade 2B



[mm]
[inch]

Pump

| | |
|---------------|--------------------|
| Series | O series |
| Pump name | DGO 200/2/80 A1CT5 |
| Configuration | NGNAB40540N00NN |
| Standard | EN 809:2009 |

Motor data

| | |
|----------------------|-----------------|
| Rated voltage | 400 V |
| Frequency | 50 Hz |
| Motor phases | 3~ |
| Number of poles | 2 |
| Rated power P2 | 1,70 kW |
| Incoming power P1 | 2,30 kW |
| Rated current | 3,9 A |
| rpm | 2.900 1/min |
| cos φ | 0,83 |
| Rated torque | 4,9 Nm |
| Start | Direct starting |
| Degree of protection | IP 68 |
| Insulation class | F |

Hydraulic

| | |
|-----------------|--------------------------|
| Type | DG (Set-back Vortex) |
| Free passage | 80 mm |
| Impeller type | Set-back Vortex impeller |
| Discharge | DN 80 EN 1092-2 |
| Curve tolerance | UNI EN ISO 9906:2012 |

Operating limits (standard pumps)

| | |
|---|---------------------|
| Max. ambient temperature | 40 °C |
| Max. density treated liquid | 1.100 kg/m³ |
| pH treated liquid | 6 ÷ 14 |
| Max. start per hour (equally distributed) | 30 |
| Wet/dry use | WET |
| Max. acoustic pressure level | 70 dB |
| Operating mode | S1 - Continuous use |

Construction materials

| | |
|------------------|-------------------------------|
| Case | Cast iron EN-GJL 250 |
| Shaft | Stainless steel AISI 431 |
| Hydraulic | Cast iron EN-GJL 250 |
| Impeller | Cast iron - EN-GJL 250 |
| Painting/Coating | Bi-epoxy 120 μm |
| Screws | Stainless steel - Class A2-70 |
| Gaskets | NBR |

Construction features

| | |
|---------------------|---|
| Cooling system | No cooling jacket |
| Main cable | 4G1 |
| Control cable | - |
| Cable length | 5 mt |
| Mechanical seals | 1 in silicon carbide (SiC) and 1 in alumina graphite (AL) |
| Additional drilling | - |
| Weight* | 23 kg |
| Electrical variant | No electrical device equipped |

* cable and fixing system excluded



better together

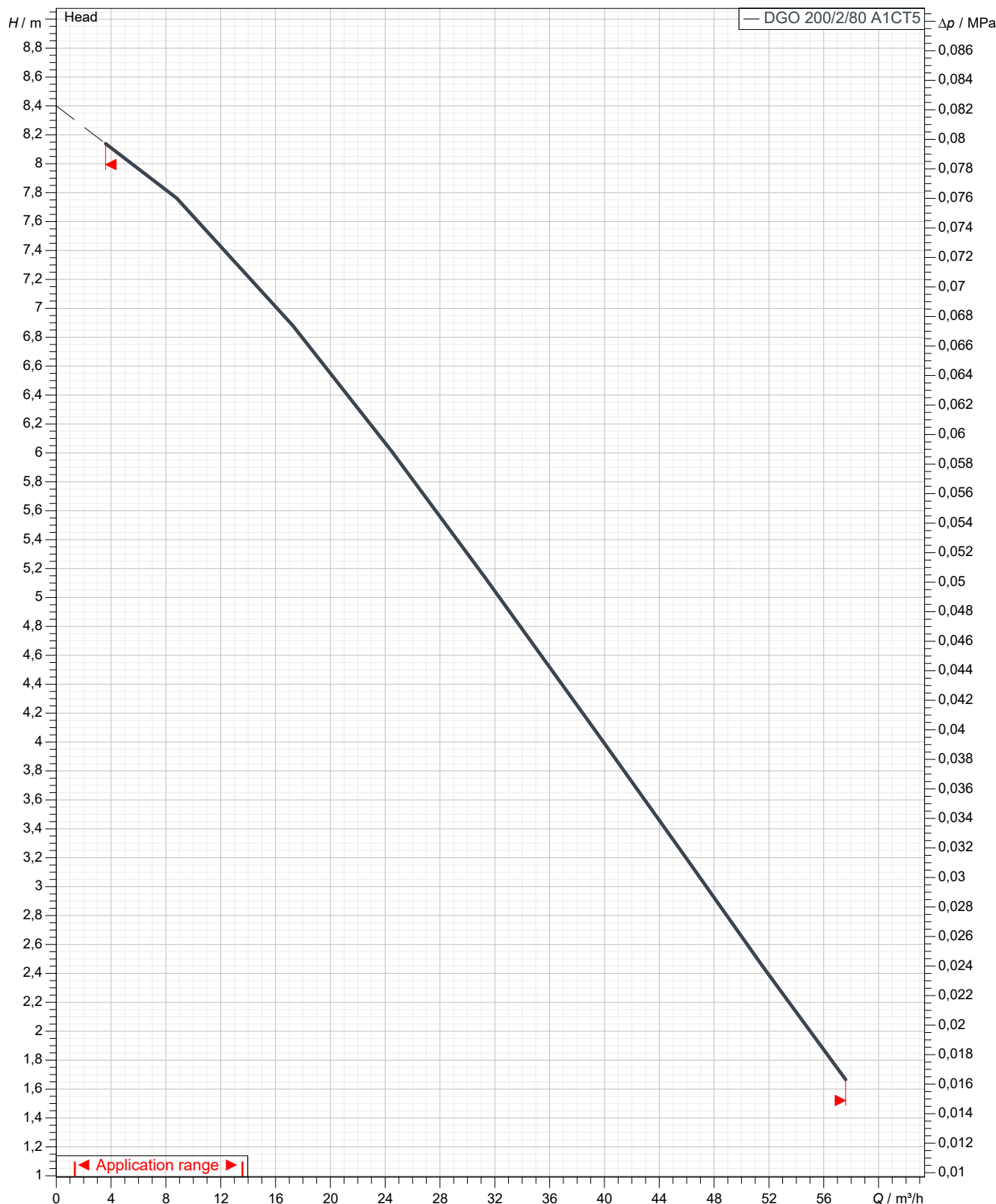
Data sheet DGO 200/2/80 A1CT5

O
series

Pump performance curves

3~ 50 Hz

| | | | | | |
|--|---|-----------------------|----------------------|------------------------------------|---------------------------------------|
| Hydraulic type DG (Set-back Vortex) | Impeller type Set-back Vortex impeller | Free passage 80 mm | Discharge DN 80 | Suction - | |
| DUTY POINT | | | | | |
| Flow | Head | Shaft power P2 | Hydraulic efficiency | Density 998,3 kg/m ³ | Viscosity 1,005 mm ² /s |



Characteristic curves according to UNI EN ISO 9906:2012
 P2 < 10kW: paragraph 4.4.2
 10kW < P2 < 100kW: Grade 3B
 P2 > 100kW: Grade 2B

